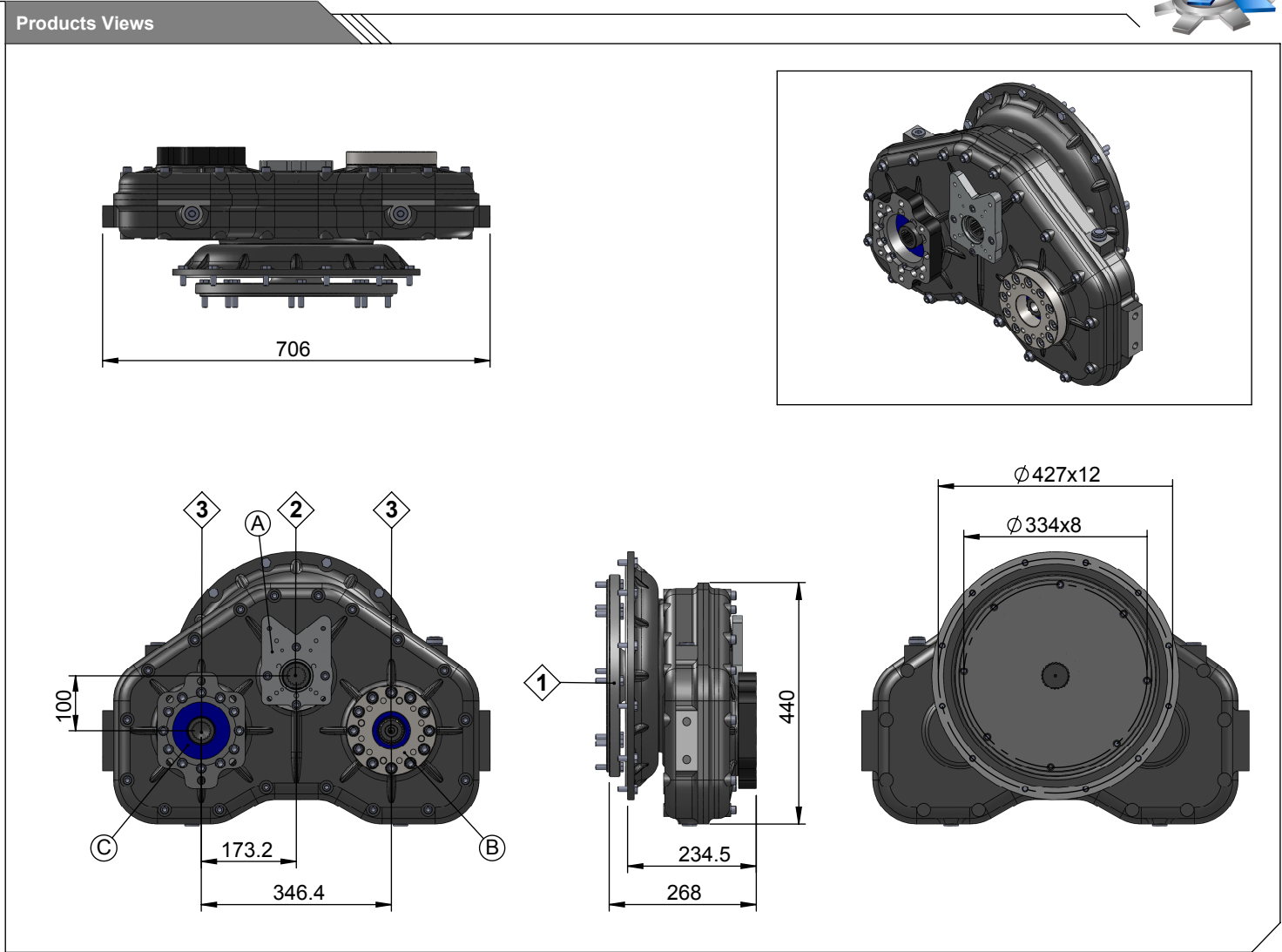


Vehicle Type	K4105Q POWER UNIT
Gearbox Type	

Product Code	<b>KRD.13</b>
--------------	---------------



**Componet Details**

<p>A : Pump Output: 1P1, 2P1, Gear Pump          B : Standard DIN 5463 6X21X25 UNI 3 Bolt Drive flange          Direct mounting ISO 4 bolt mtg. adapter          C : SH6V 75 PUMP</p>	
---	--

**Technical Details**

Outputs	Power	Maximum Torque		Input/Output	Mounting Side	
	<i>kW</i>	<i>Nm</i>	<i>kgm</i>			
1	240	2292	233.6	1/1	Mounting Directly to Engine	
2	65	621	63.3	1/1		<b>Weight</b>
3	150	1432.5	146	1/1.3	130 kg	Opposite of Input